

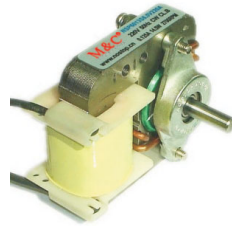
# AC SHADED POLE MOTOR

GUANGZHOU HAOQING MOTOR CO.,LTD

## AC SHADED POLE MOTOR



AJ58



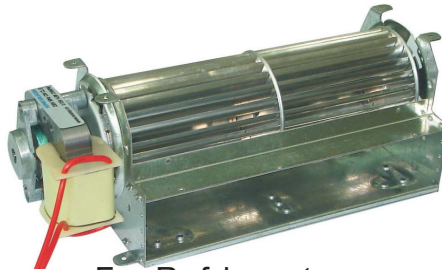
AJ60



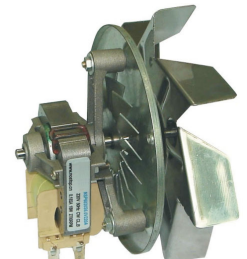
AJ60G



For Refrigerator



For Refrigerator



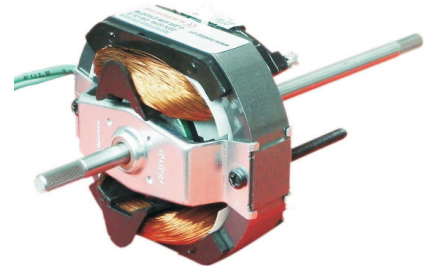
For Refrigerator



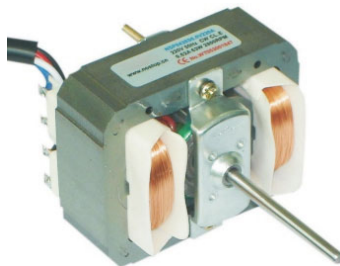
AJ63



AJ82



AJ83



AJ84



AJ88

Shaded Pole Motors are widely used on humidifiers, microwave ovens, electromagnetic ovens, electronic ovens, refrigerating cabinets, food display cabinets, the second ventilation of household central air-conditioning systems, drainage systems of the air-conditioner's condensation water, ceiling-inserting air conditioners, dehumidifiers, air purifiers, dishwashers, electronic projectors, small-sized water pumps, oil pumps, reduction gear boxes, exhaust blowers, drying machines, welding machines, etc.

With strong technology, complete testing equipments and advanced production lines, we got ISO9001 quality system certification. Except the authentication of China's CCC, M&C brand shading-pole electronic motors have got US's UL, Canada's CSA, North American's CUL, Germany's TUV, and EU's CE certification.

Pursuing the aim of valuing quality, reputation and service, we are sincerely willing to cooperate with both old and new customers at home and abroad. We warmly welcome the friends from all walks of life to visit our company and offer advice and suggestions.

## AJ58 SERIES SHADED POLE MOTORS

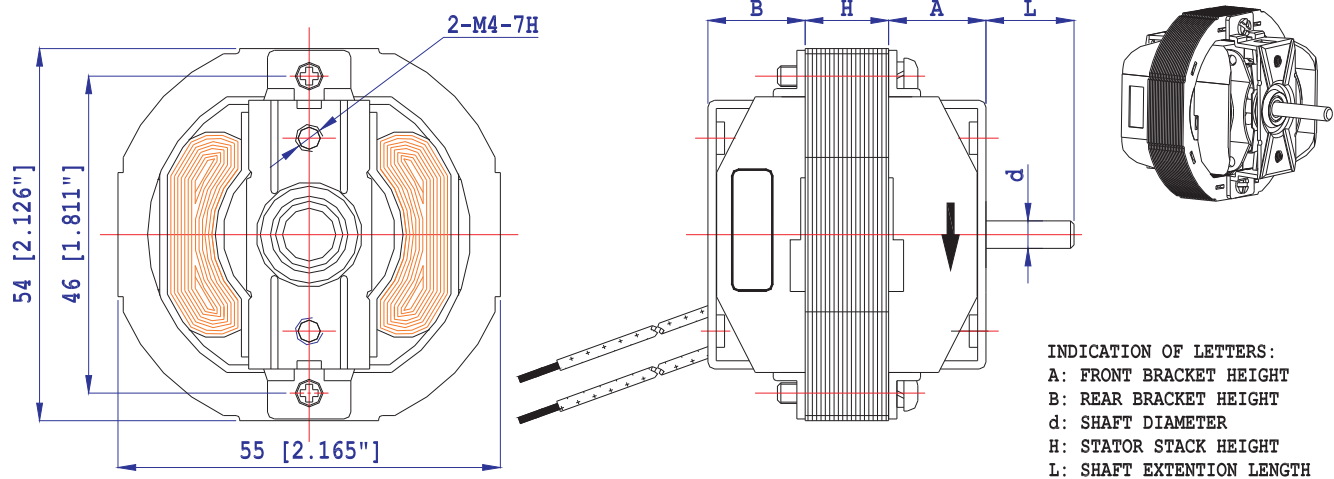
### Main Features

1. Rated voltage and frequency can be any as needed.
2. Motor output power can be from 0.8W to 60W(approx.).
3. Shaft diameter(d) can be:  $\Phi 4$ ,  $\Phi 5$ ,  $\Phi 5.5$ ,  $\Phi 6$ ,  $\Phi 6.35$ mm or as needed.
4. Stator stack thickness(H) can be any from 8mm to 50mm.
5. Brackets can be either zinc-aluminum alloy type or metal type.
6. Bearing can be either bush or ball bearing as needed.
7. Motor rotation direction can be either CW or CCW.
8. Leading out by cable or by terminals are both available.
9. Thermostat or fuse are both available for over heating protection.



### Typical Application:

Toilet ventilator, room heater, personal fan, foot massager, etc.



Remarks: only the dimensions marked in letters are changeable as needed. Other dimensions are fixed.

### Standard Performances(Test Under Room Temperature):

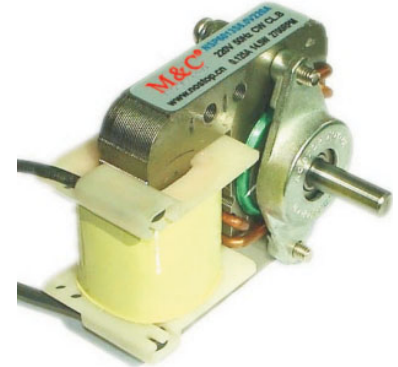
MODEL	RATED SUPPLY		NO LOAD			AT MAX. EFFICIENCY					AT STALL		STACK
	VOLTAGE	FRE'Y	CURRENT	SPEED	POWER	CURRENT	SPEED	P(in)	TORQUE	EFF.	CURRENT	POWER	HEIGHT
	(A)	(Hz)	(A)	(RPM)	(W)	(A)	(RPM)	(W)	(mNm)	(%)	(A)	(W)	(mm)
AJ 5812S4V220A	220	50	0.090	2600	14.6	0.094	1850	15.8	6.1	6.6	0.096	16.8	12
AJ 5812S4V120B	120	60	0.180	3300	17.5	0.210	2120	17.5	7.8	8.7	0.256	27.5	12
AJ 5816S4V220A	220	50	0.096	2700	13.0	0.109	2300	15.6	12.0	10.8	0.130	20.5	16
AJ 5816S4V120B	120	60	0.250	3400	22.3	0.272	2650	22.3	9.8	11.3	0.314	34.5	16
AJ 5816S4V220A -2 (2 SPEEDS)	220	50	0.110	2700	15.5	0.156	2180	25.1	12.2	10.7	0.135	23.0	16
			0.087	2750	12.0	0.095	2050	14.8	7.8	6.6			
AJ 5820S4V220A	220	50	0.135	2800	16.8	0.145	2500	20.0	9.2	8.6	0.180	28.5	20
AJ 5820S4V220A -2 (2 SPEEDS)	220	50	0.125	2800	15.5	0.147	2550	19.0	11.2	10.6	0.190	27.5	20
			0.097	2850	12.5	0.115	2500	15.7	6.3	6.0			
AJ 5825S4V220A	220	50	0.145	2850	18.4	0.162	2380	23.5	14.1	14.9	-	-	25
AJ 5830S4V220A	220	50	0.120	2878	12.0	-	-	-	-	-	-	-	30

Remarks: above performances are from some typical models only. OEM and ODM are all welcome.

## AJ60 SERIES SHADED POLE MOTORS

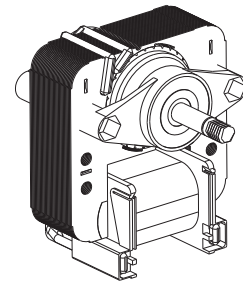
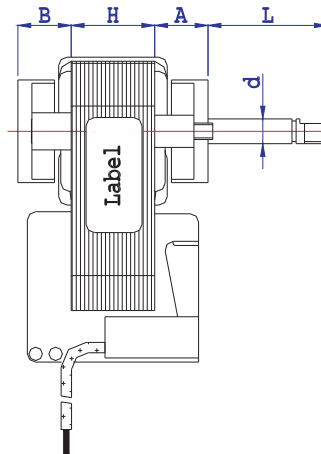
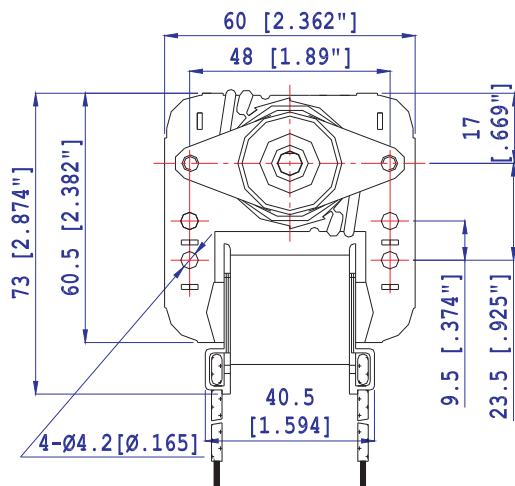
### Main Features

1. Rated voltage and frequency can be any as needed.
2. Motor output power can be from 0.8W to 60W(approx.).
3. Shaft diameter(d) can be:  $\Phi 3.17$ ,  $\Phi 4$ ,  $\Phi 5$ ,  $\Phi 5.5$ ,  $\Phi 6$ ,  $\Phi 6.35$ mm or as needed.
4. Stator stack height can be any from 8mm to 50mm.
5. Brackets can be either zinc-aluminum alloy type or metal type.
6. Bearing can be either bush or ball bearing as needed.
7. Motor rotation direction can be either CW or CCW.
8. Leading out by cable or by terminals are both available.
9. Thermostat or fuse are both available for over heating protection.



### Typical Application:

Oven Fan, Can Opener, Humidifier, Air Purifier, Blower, Heater, etc.



INDICATION OF LETTERS:  
 A: FRONT BRACKET HEIGHT  
 B: REAR BRACKET HEIGHT  
 d: SHAFT DIAMETER  
 H: STATOR STACK HEIGHT  
 L: SHAFT EXTENTION LENGTH

Rmarks: only the dimensions marked in letters are changeable as needed. Other dimensions are fixed.

### Standard Performances(Test Under Room Temperature):

MODEL	RATED SUPPLY		NO LOAD			AT MAX. EFFICIENCY					AT STALL		STACK HEIGHT
	VOLTAGE	FRE ' Y	CURRENT	SPEED	POWER	CURRENT	SPEED	P (in)	TORQUE	EFF.	CURRENT	POWER	
	(A)	(Hz)	(A)	(RPM)	(W)	(A)	(RPM)	(W)	(mNm)	(%)	(A)	(W)	
AJ 6010S4V220A	220	50	0.035	2780	4.4	0.043	1078	5.78	3.6	7.03	0.044	6.1	10
AJ 6010S3.17V230A	230	50	0.065	2750	6.9	0.067	2040	7.45	3.9	11.15	0.073	8.6	10
AJ 6012S4V230A	230	50	0.104	2800	11.2	0.180	2300	16.7	9.6	13.70	0.123	16.2	12
AJ 6013S6V230A	230	50	0.120	2850	14.5	0.134	2340	18.2	14.3	19.25	0.135	20.5	13
AJ 6013B6.35V120B	120	60	0.325	3250	16.0	0.350	2680	21.3	12.7	16.30	0.390	24.0	13
AJ 6015S6V230A	230	50	0.142	2780	15.8	0.157	2218	20.3	13.2	15.10	0.184	23.0	15
AJ 6015S6V120B	120	60	0.790	3300	32.0	0.822	2616	44.2	25.2	15.60	0.880	48.0	15
AJ 6016S6V120B	120	60	0.300	3300	17.5	0.380	2700	23.5	19.1	20.20	0.410	25.7	16
AJ 6020S6V220A	220	50	0.155	3400	18.5	0.165	2530	25.6	11.8	17.50	0.230	26.5	20
AJ 6025S6V220A	220	50	0.560	2850	57.0	0.670	2300	75.8	51.8	16.47	0.670	85.0	25
AJ 6030S6V220A	220	50	0.240	2850	26.5	0.290	2200	38.3	25.5	15.16	0.350	44.0	30
AJ 6038S6V220A	220	50	0.680	2900	56.2	0.630	2500	89.2	75.8	22.50	0.990	110.0	38

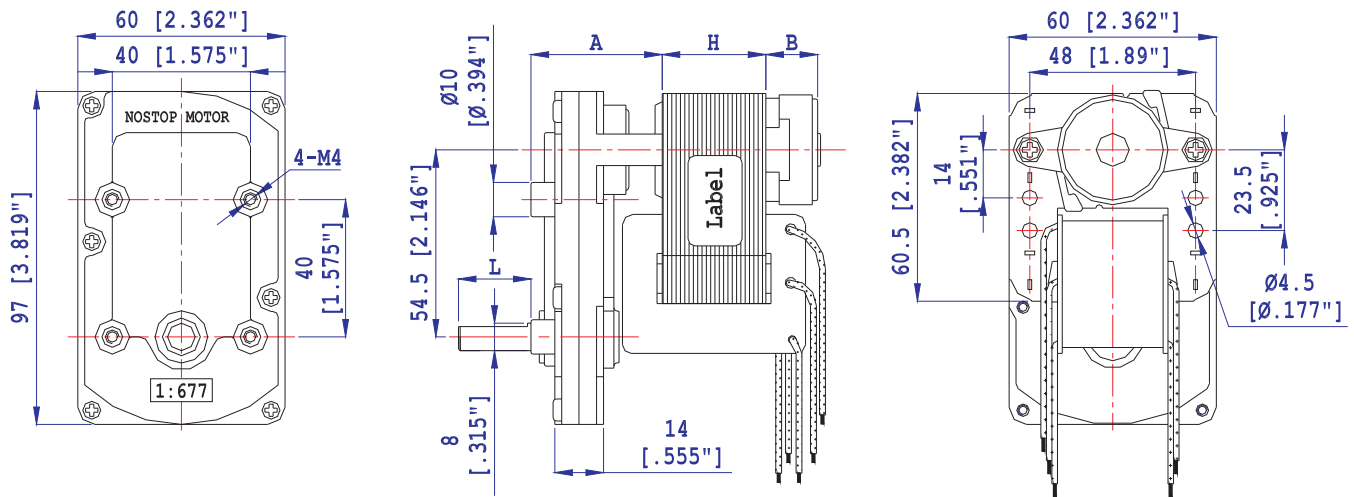
Rmarks: above performances are from some typical models only. OEM and ODM are all welcome.

## AJ60G SERIES SHADED POLE GEARED MOTORS

### Breif Introduction:

This is a geared motor based on a gearbox mounted to a shaded pole motor. Themotor can be changed to other types with the same mounting holes distance, and the gear teduction ratio can also be changed as need to reach a torque upto 34Nm or 3001b.in. All the gears are made from molded powder metal or carbon steel with high tolerance and strong ability of brak-resistance. The gearbox is made from zinc-aluminum alloy. Output shaft is speciall hardened. We also have some other sizes gearboxes available. OEM and ODM are both welcome.

These motors are widely used for Vending Machine, Commercial Water Softeners, Valve Actuators, Ice-maker, Restaurant and Food Equipment, Packaging Equipment, Gaming Coffee brewing Systems, Banking System, Agricultural equipment, etc.



INDICATION OF LETTERS:

A: FRONT BRACKET HEIGHT  
B: REAR BRACKET HEIGHT

L: SHAFT EXTENTION LENGTH  
H: MOTOR STATOR STACK HEIGHT

Rmarks: only the dimensions marked in letters are changeable as needed. Other dimensions are fixed.

### Standard Performances(Test Under Room Temperature):

MODEL	RATED SUPPLY		NO LOAD			AT MAX. EFFICIENCY				GEAR REDUCTION RATIO
	VOLTAGE	FRE'Y	CURRENT	SPEED	POWER	CURRENT	SPEED	P(in)	TORQUE	
	(A)	(Hz)	(A)	(RPM)	(W)	(A)	(RPM)	(W)	(mNm)	
AJ 6030V120B	120	60	0.32	3350	20.0	0.34	2910	23.5	16	-
AJ 6030V120B-G355	120	60	0.33	9.50	21.0	0.35	8.40	23.5	545	1:355
AJ 6030V220A	220	60	0.16	3350	19.0	0.17	2870	20.2	14	-
AJ 6030V220A-G355	220	60	0.16	9.50	19.0	0.17	8.40	20.2	469	1:355
AJ 6030V110B	110	60	0.33	3400	22.0	0.35	2910	24.0	16	-
AJ 6030V110B-G677	110	60	0.34	4.97	23.0	0.36	4.35	25.0	1121	1:677
AJ 6030V220A	220	50	0.19	2800	23.0	0.25	2260	27.0	23	-
AJ 6030V220A-G677	220	50	0.20	4.17	24.0	0.26	3.35	28.0	1630	1:677

Rmarks: above performances are from some typical models only. OEM and ODM are all welcome.

## SPECIAL PURPOSE SHADED POLE MOTORS

### Frost-free Refrigerator Motor



**Explanation:**

Specially designed for refrigerator and freezer fan. Motor coil and bobbin are sealed by resin. Low temperature frozen-resistant lubricant (as low as -40°C) for the sleeve bearing and stainless steel shaft are used. Stator lamination is fully electrophoresed.

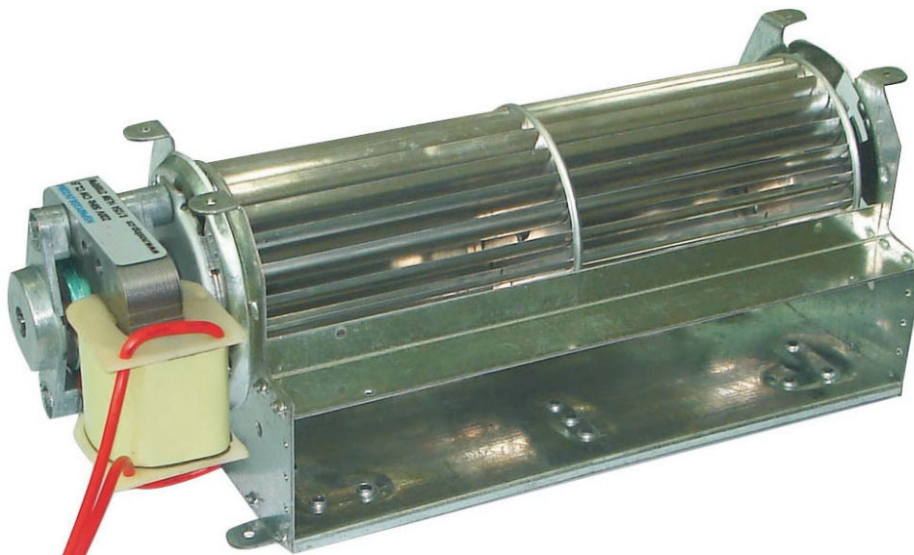
### Hot Air Circulation Fan Motor



**Explanation:**

Specially designed for hot air circulation fan (such as oven, climate cabinet, sterilisation units, meal and dish warmer, etc) with a radial impeller made of sheet steel and a mounting plate to set the motor from the hot area. High temperature resistant lubricant is used for the sleeve bearing. Winding insulation: Class H.

### Cross Flow Blower



**Explanation:**

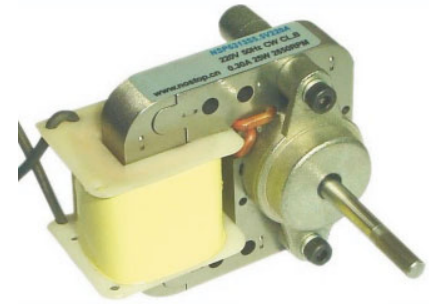
Metal sheet crossflow blower is added. Air flow upto 180CFM. Blower sizes are available with:

1.  $\Phi 30 \times 350$ .
  2.  $\Phi 45 \times 180$ .
  3.  $\Phi 60 \times 120$ ,  $\Phi 60 \times 180$ ,  $\Phi 60 \times 240$ ,  $\Phi 60 \times 300$ ,  $\Phi 60 \times 350$ ,  $\Phi 60 \times 360$ ,  $\Phi 60 \times 420$
- Other size are welcome. Plastic blower with a lot of choices are also available.

## AJ63 SERIES SHADED POLE MOTORS

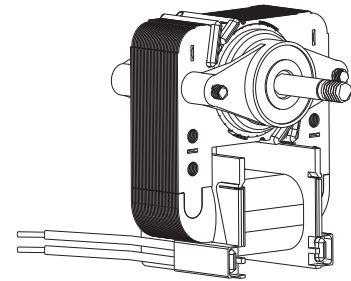
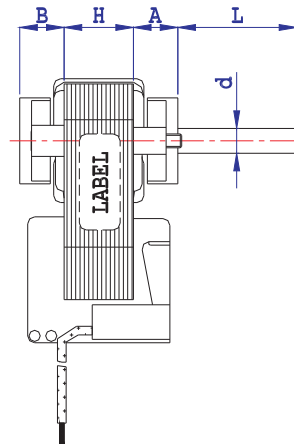
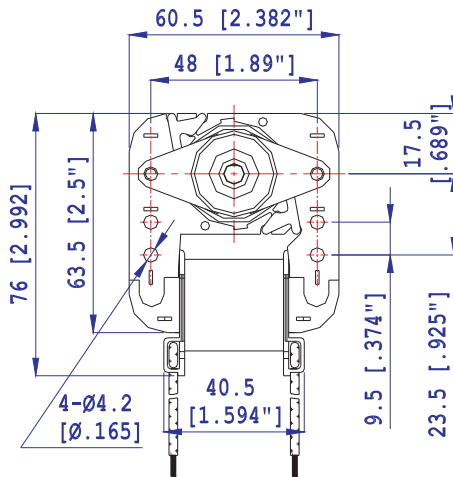
### Main Features

1. Rated voltage and frequency can be any as needed.
2. Motor output power can be from 0.8W to 60W(approx.).
3. Shaft diameter(d) can be:  $\Phi 3.17, \Phi 4, \Phi 5, \Phi 5.5, \Phi 6, \Phi 6.35$ mm or as needed.
4. Stator stack height can be any from 8mm to 50mm.
5. Brackets can be either zinc-aluminum alloy type or metal type.
6. Bearing can be either bush or ball bearing as needed.
7. Motor rotation direction can be either CW or CCW.
8. Leading out by cable or by terminals are both available.
9. Thermostat or fuse are both available for over heating protection.



### Typical Application:

Oven Fan, Can Opener, Humidifier, Air Purifier, Blower, Heater, etc.



INDICATION OF LETTERS:  
 A: FRONT BRACKET HEIGHT  
 B: REAR BRACKET HEIGHT  
 d: SHAFT DIAMETER  
 H: STATOR STACK HEIGHT  
 L: SHAFT EXTENTION LENGTH

Rmarks: only the dimensions marked in letters are changeable as needed. Other dimensions are fixed.

### Standard Performances(Test Under Room Temperature):

MODEL	RATED SUPPLY		NO LOAD			AT MAX. EFFICIENCY					AT STALL		STACK HEIGHT
	VOLTAGE	FRE 'Y	CURRENT	SPEED	POWER	CURRENT	SPEED	P (in)	TORQUE	EFF.	CURRENT	POWER	
	(AVC)	(Hz)	(A)	(RPM)	(W)	(A)	(RPM)	(W)	(mNm)	(%)	(A)	(W)	
AJ 6312S3.17V230A	230	50	0.115	2750	11.7	0.119	1960	15.6	7.0	8.93	0.125	15.4	12
AJ 6313S5V120B	120	60	0.409	3378	18.7	0.445	2792	23.2	14.8	18.68	0.502	26.7	13
AJ 6313S5V120B	120	60	0.500	3320	23.6	0.543	2366	31.7	12.6	9.83	0.570	32.5	13
AJ 6315S6V230A	230	50	0.230	2750	20.0	0.250	1612	27.2	18.3	11.00	0.250	27.5	15
AJ 6315S6V120B	120	60	0.610	3400	26.3	0.850	2400	41.5	21.5	13.50	0.700	34.0	15
AJ 6318S5.5V220A	220	50	0.362	2800	31.0	0.412	2530	12.5	28.7	20.85	0.448	50.8	18
AJ 6318S5.5V120B	120	60	0.632	3436	30.1	0.830	2864	40.3	26.7	19.80	0.787	41.5	18
AJ 6322S4.5V220A	220	50	0.193	2850	18.0	0.245	2450	21.0	12.3	16.50	0.287	31.3	22
AJ 6322S4.5V120B	120	60	0.322	3500	17.8	0.420	2800	27.6	19.0	20.56	0.522	33.6	22
AJ 6338S6.35V240A	240	50	0.921	2900	83.0	1.650	2500	94.1	50.8	32.52	1.280	148.2	38
AJ 6338S6.35V120B	120	60	1.570	3500	80.7	1.962	2775	124.6	88.3	21.64	2.300	138.0	38

Rmarks: above performances are from some typical models only. OEM and ODM are all welcome.

## AJ82 SERIES SHADED POLE MOTORS

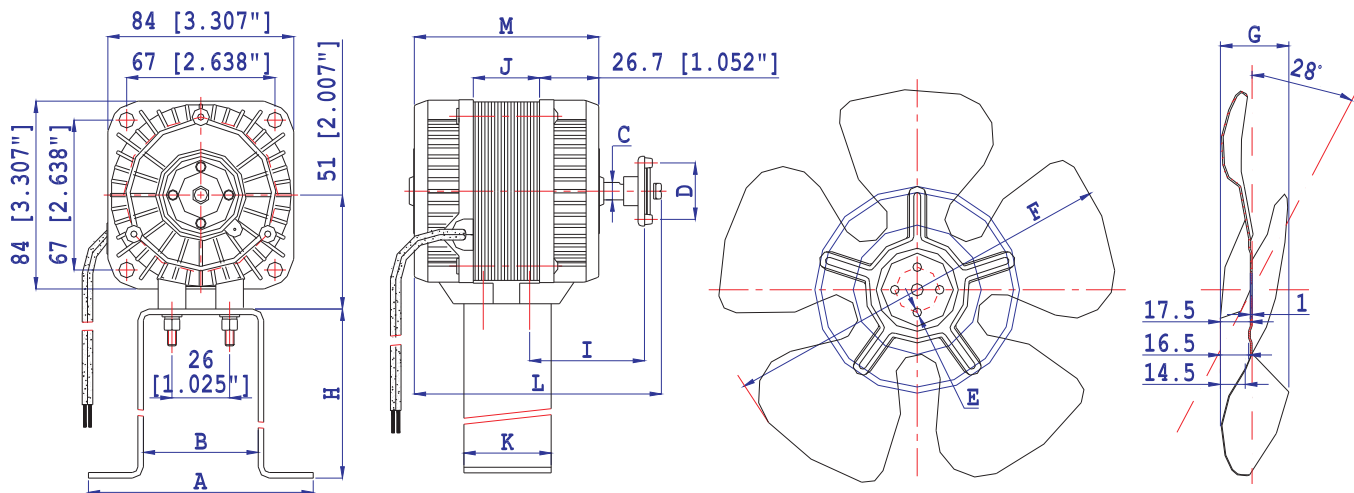
### Main Features

1. Rated voltage and frequency can be any as needed.
2. Motor output power can be from 0.8W to 60W(approx.).
3. Shaft diameter(d) can be:  $\Phi 6$ ,  $\Phi 7.8$ mm or as needed.
4. Stator stack thickness(H) can be any from 8mm to 50mm.
5. A metal strut base is available to be attached to the motor.
6. A metal propeller is available for the motor.
7. Motor rotation direction can be either CW or CCW.
8. Stator surface can be electrophoresed for anti humidity.



### Typical Application:

Kitchen Range Hood Fan, Hand Dryer, Air Purifier, Ventilator, etc.



Rmarks: only the dimensions marked in letters are changeable as needed. Other dimensions are fixed.

### Standard Performances(Test Under Room Temperature):

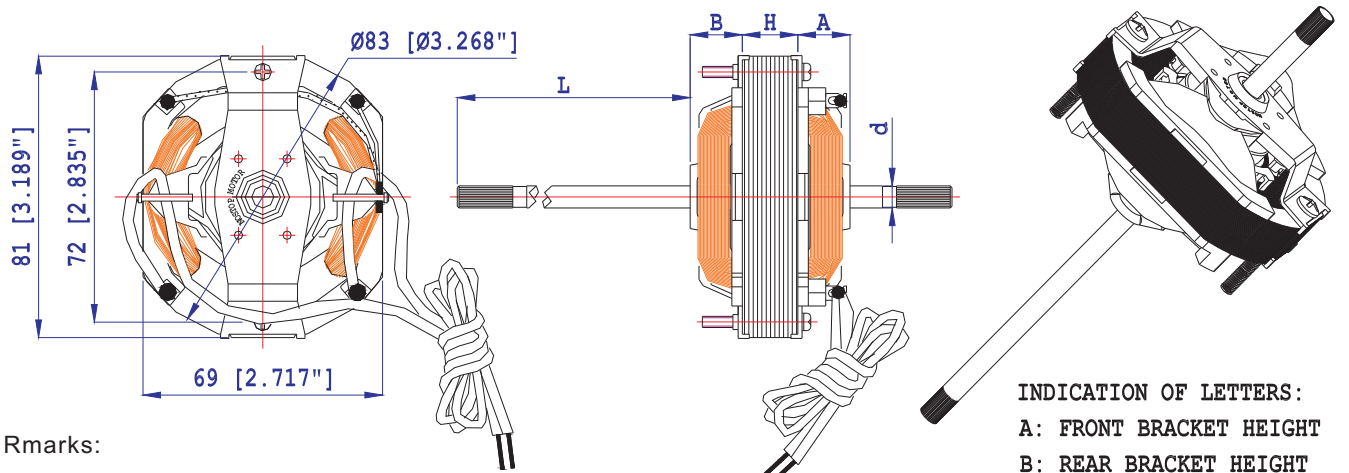
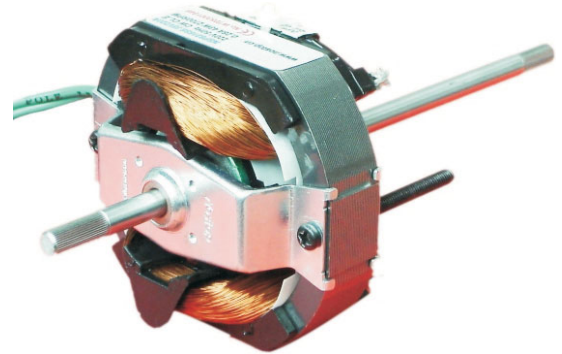
MODEL	RATED SPECS.				DIMENSIONS (mm)															
	P(out) (W)	VOLT. (VAC)	FREQ'Y (Hz)	SPEED (rpm)	A	B	C	D	E	F	G	H	I	J	K	L	M			
AJ 8210-3W	3	220~240	50	$\geq 1200$									52.4	10						
AJ 8213-5W	5	100~120 220~240	50/60	$\geq 1300$	106.0	46.0	$\Phi 6.0$	$\Phi 25.4$	$\Phi 3.5$	$\Phi 200$	33	72	49.4	13	24.0	92.0	66.4			
AJ 8213-7W	7	220~240																15	102.8	68.4
AJ 8220-10W	10	100~120 220~240																20	102.8	73.4
AJ 8230-16W	16	100~120 220~240																20	102.8	73.4
AJ 8240-25W	25	220~240	50	$\geq 1250$	101.5	52.5	$\Phi 7.8$	$\Phi 26.0$	$\Phi 5.0$	$\Phi 250$	43	109	52.0	30	39.5	111.8	83.4			
										$\Phi 300$	53		47.0	40	49.0	116.8	93.4			

Rmarks: above performances are from some typical models only. OEM and ODM are all welcome.

## AJ83 SERIES SHADED POLE MOTORS

### Main Features

1. Rated voltage and frequency can be any as needed.
2. Motor output power can be from 5.0W to 60W(approx.).
3. Shaft diameter(d) can be:  $\Phi 5.5$ ,  $\Phi 6$ ,  $\Phi 6.35$ mm or as needed.
4. Stator stack thickness(H) can be any from 12mm to 50mm.
5. Brackets can be either aluminum alloy or metal.
6. Bearing can be either sleeve or ball bearing as needed.
7. The coil is insulated to stator by bobbin(new design).
8. Leading out either by terminal or cable.
9. Thermostat or fuse are both available.
10. Motor rotation direction can be either CW or CCW.
11. Standard endplay: 0.3~1.5mm. Standard noise:  $\leq 38$ dB(A).
12. This motor complies with IEC60034-1 standard.
13. CE certificate No.: Wt053001846. Standard:EN60335-1.



Rmarks:

This motor is mainly designed for **evaporative ccooler pump**.By our standard design(AJ8316 motor), the water flow can reach Min. **13~14 liter/minute** and the life height can reach Min. **2.3 meter**. This motor can also be used for other applications such as hand dryer, hood, etc.

INDICATION OF LETTERS:

A: FRONT BRACKET HEIGHT

B: REAR BRACKET HEIGHT

d: SHAFT DIAMETER

H: STATOR STACK HEIGHT

L: SHAFT EXTENTION LENGTH

For the above dimensions, only those marked in letters are changeable as needed. Others are fixed.

### Standard Performances(Test Under Room Temperature):

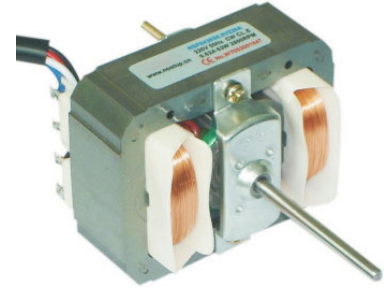
MODEL	RATED SUPPLY		NO LOAD			AT MAX. EFFICIENCY					AT STALL		STACK
	VOLT.	FRE'Y	CURRENT	SPEED	POWER	CURRENT	SPEED	P(in)	TORQUE	P(out)	CURRENT	POWER	HEIGHT
	(A)	(Hz)	(A)	(RPM)	(W)	(A)	(RPM)	(W)	(mNm)	(W)	(A)	(W)	(mm)
AJ 8312S6.35V220A	220	50	0.180	2810	30.0	0.207	2254	37.8	18.72	5.0	0.285	58.2	12
AJ 8316S6.35V220A	220	50	0.331	2800	50.0	0.384	2258	66.8	55.60	13.0	0.443	77.0	16
AJ 8320S6.35V220A	220	50	0.345	2860	47.6	0.410	2352	67.4	48.90	12.0	0.505	81.6	20
AJ 8325S6.35V220A	220	50	0.304	2862	42.0	0.359	2530	58.5	48.40	12.8	0.452	74.6	25

Rmarks: above performances are from some typical models only. OEM and ODM are all welcome.

## AJ84 SERIES SHADED POLE MOTORS

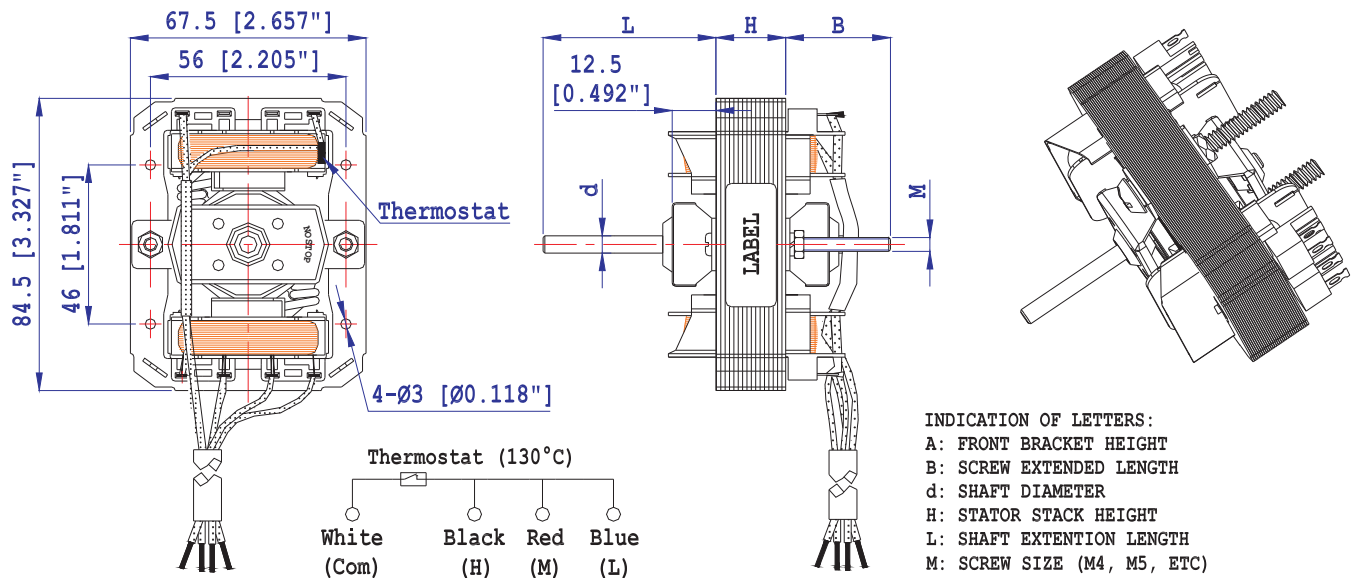
### Main Features

1. Rated voltage and frequency can be any as needed.
2. Motor output power can be from 0.8W to 60W(approx.).
3. Shaft diameter(d) can be:  $\Phi 5$ ,  $\Phi 5.5$ ,  $\Phi 6$ ,  $\Phi 6.35$ mm or as needed.
4. Stator stack thickness(H) can be any from 8mm to 50mm.
5. Brackets can be either zinc-aluminum alloy type or metal type.
6. Bearing can be either sleeve or ball bearing as needed.
7. Motor rotation direction can be either CW or CCW.
8. Thermostat or fuse are both available for over heating protection.



### Typical Application:

Kitchen Range Hood Fan, HandDryer, Air Purifier, Ventilator, etc.



Rmarks: only the dimensions marked in letters are changeable as needed. Other dimensions are fixed.

### Standard Performances(Test Under Room Temperature):

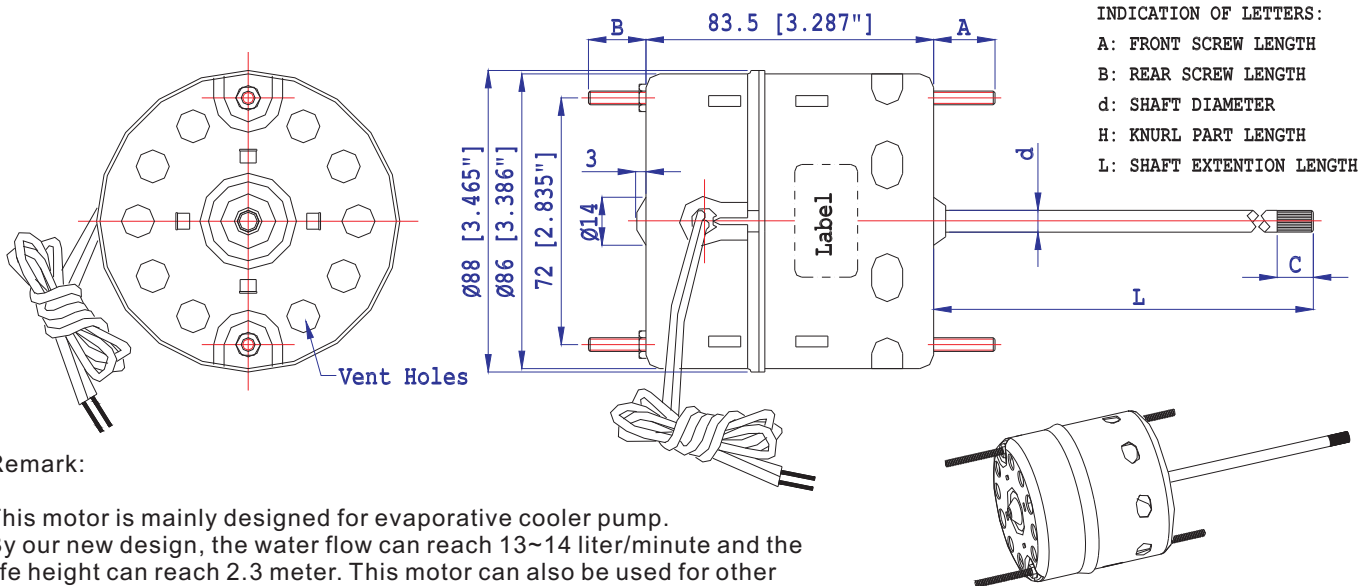
MODEL	RATED SUPPLY		NO LOAD			AT MAX. EFFICIENCY					AT STALL		STACK HEIGHT
	VOLTAGE	FRE'Y	CURRENT	SPEED	P(in)	CURRENT	SPEED	P(in)	TORQUE	EFF.	CURRENT	P(in)	
	(VAC)	(Hz)	(A)	(RPM)	(W)	(A)	(RPM)	(W)	(mNm)	(%)	(A)	(W)	
AJ 8420S5V230A	230	50	0.652	2800	75.0	0.650	2375	82.20	62.06	18.80	0.852	123.5	20
AJ 8422S5V230A	230	50	0.654	2800	60.3	0.830	2000	99.00	71.07	20.30	0.900	108.0	22
AJ 8425S5V230A	230	50	0.651	2850	62.6	0.692	2340	94.76	81.59	21.00	0.857	117.0	25
AJ 8428S5V230A	230	50	0.556	2850	67.3	0.640	2292	93.36	74.61	19.20	1.055	134.5	28
AJ 8430S5V230A	230	50	0.559	2850	65.0	0.625	2472	89.85	75.92	21.78	0.806	112.0	30
AJ 8433S5V230A	230	50	0.787	2800	85.9	0.860	2352	120.0	102.9	21.00	1.145	150.0	33
AJ 8440S5V230A	220	50	0.750	2900	70.6	0.950	2450	135.0	115.0	25.40	1.254	144.2	40
AJ 8442S5V230A	230	50	0.743	2900	76.1	1.175	2422	157.5	153.9	24.76	1.246	159.0	42
AJ 8450S5V230A	230	50	1.500	2900	138.0	1.850	2452	236.0	205.0	50.50	2.470	310.2	50

Rmarks: above performances are from some typical models only. OEM and ODM are all welcome.

## AJ88 SERIES SHADED POLE MOTORS

### Main Features

1. Rated voltage and frequency can be any as needed.
2. Motor output power can be from 0.8W to 60W(approx.).
3. Shaft diameter(d) can be:  $\Phi 5$ ,  $\Phi 5.5$ ,  $\Phi 6$ ,  $\Phi 6.35$ mm.
4. Stator stack thickness can be any from 12mm to 50mm.
5. Brackets can be either aluminum alloy or metal.
6. Bearing is available by either sleeve or ball bearing.
7. The coil is insulated to stator by bobbin(new design).
8. Leading out either by terminal or cable.
9. Thermostat or fuse are both available.
10. Motor rotation direction can be either CW or CCW.
11. Standard endplay: 0.3~1.5mm. Standard noise:  $\leq 38$ dB(A).
12. This motor complies with IEC60034-1 standard.
13. CE certificate No.: Wt053001846. Standard: En60335-1.



Remark:

This motor is mainly designed for evaporative cooler pump. By our new design, the water flow can reach 13~14 liter/minute and the life height can reach 2.3 meter. This motor can also be used for other applications such as hand dryer, hood, etc.

For the above dimensions, only those marked in letters are changeable. Other dimensions are fixed.

### Standard Performances(Test Under Room Temperature):

MODEL	RATED SUPPLY		NO LOAD			AT MAX. EFFICIENCY					AT STALL		STACK
	VOLTAGE	FRE 'Y	CURRENT	SPEED	POWER	CURRENT	SPEED	P(in)	TORQUE	EFF.	CURRENT	POWER	HEIGHT
	(A)	(Hz)	(A)	(RPM)	(W)	(A)	(RPM)	(W)	(mNm)	(%)	(A)	(W)	(mm)
AJ 8812S6.35V220A	220	50	0.180	2810	30.0	0.207	2254	37.8	18.72	11.6	0.285	58.2	12
AJ 8816S6.35V220A	220	50	0.331	2800	50.0	0.384	2258	66.8	55.60	19.6	0.443	77.0	16
AJ 8820S6.35V220A	220	50	0.365	2800	49.0	0.415	2180	55.4	54.50	18.7	0.504	51.0	20

Rmarks: above performances are from some typical models only. OEM and ODM are all welcome.

GUANGZHOU HAOQING MOTOR CO.,LTD

E-mail: [sherry@gzhqmotor.com](mailto:sherry@gzhqmotor.com)

Website: <http://www.gzhqmotor.com>